

### Features

- Bask® heated surface creates spa-like relaxation with soothing warmth on your back, shoulders, and neck.
- Three heat settings allow you to customize the surface temperature.
- Oval basin creates a spacious bathing experience.
- Integral lumbar support and armrests offer extra comfort while bathing.
- Textured bottom surface.

### Material

- Acrylic.

### Installation

- Reversible drain.
- Drop-in.
- Smooth backside for easy handling and mounting of drain and overflow.

### Recommended Products/Accessories

K-24916 Wireless Music Kit  
K-738 Under-Mount Install Kit - K-6346/K-6347  
K-23726 Drain treatment  
K-23732 Tub & shower cleaner



### Codes/Standards

CSA B45.5/IAPMO Z124  
UL 1795  
CSA C22.2 No. 218.2



**KOHLER® Plastic Baths and  
Receptors Lifetime Limited  
Warranty KOHLER® Hydrotherapy  
Components Five-Year Limited  
Warranty**

See website for detailed warranty information.

### Available Colors/Finishes

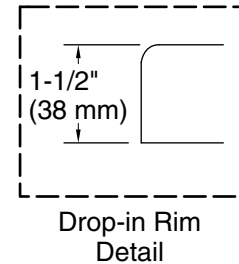
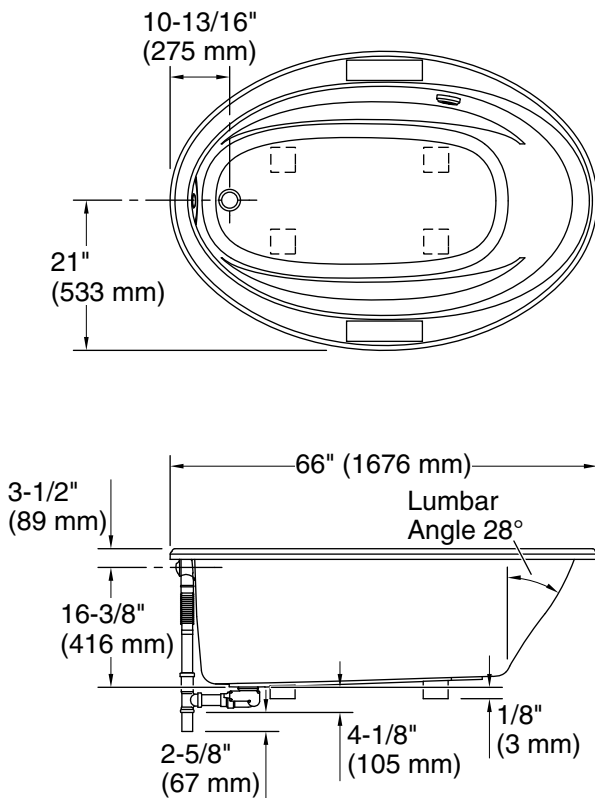
*Color tiles intended for reference only.*

Color	Code	Description
-------	------	-------------

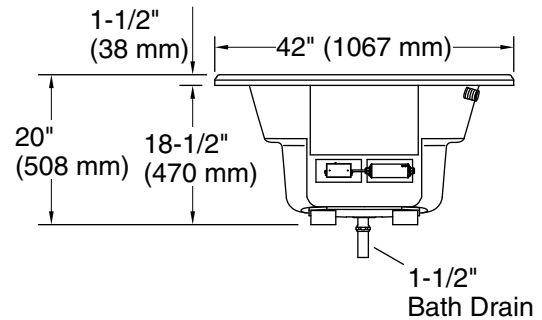
	0	White
	96	Biscuit

No change in measurements if connected with drain illustrated. (K-37382)

 Recommended Faucet Location



Access Panel  
 20" (508 mm) W x 15" (381 mm) H



### Required Electrical Service

One circuit required, protected with Class A Ground-Fault Circuit-Interrupter (GFCI). Outside North America, this device may be known as a Residual Current Device (RCD).

Heated Surface: 120 V, 15 A, 60 Hz

### Technical Information

All product dimensions are nominal.

- Installation: Drop-in
- Drain location: End
- Basin area, bottom: 48-5/8" x 24-1/2" (1235 mm x 622 mm)
- Basin area, top: 60" x 32-3/16" (1523 mm x 818 mm)
- Minimum floor load: 34 lbs/ft<sup>2</sup> (166 kg/m<sup>2</sup>)
- Water depth: 14-5/16" (364 mm)
- Water capacity: 70 gal (265 L)
- Template: Drop-in, 1233384-7, not required, included
- Electrical component rating: Heated Surface: 120 V, 0.5 A, 60 Hz, 65 W

### Notes

Measure your actual product for rough-in details.

Install this product according to the installation instructions.

The hot water supply should be 70% of the capacity of the bath or greater. Installations will vary.

Kit is required for under-mount installations (sold separately).

If installing a rim-mount faucet, make sure there is no interference above or below the deck before drilling any holes.